

Hampton Concrete Products, Inc.

www.hamptonconcrete.com

724-443-7205

Curbs - February 2024

Prices subject to change without notice

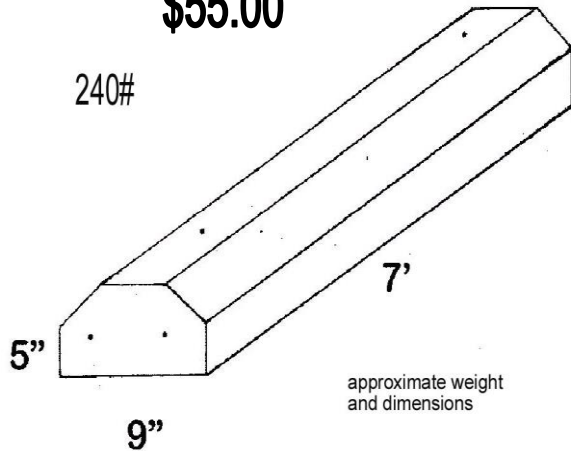
PA6939

CURBS

Standard Curb

\$55.00

240#



approximate weight and dimensions



Vinyl Curb #140

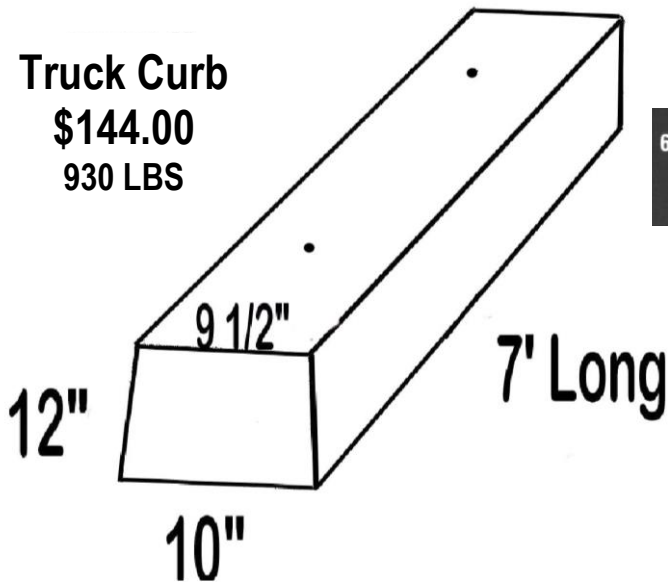
\$55.00



Truck Curb

\$144.00

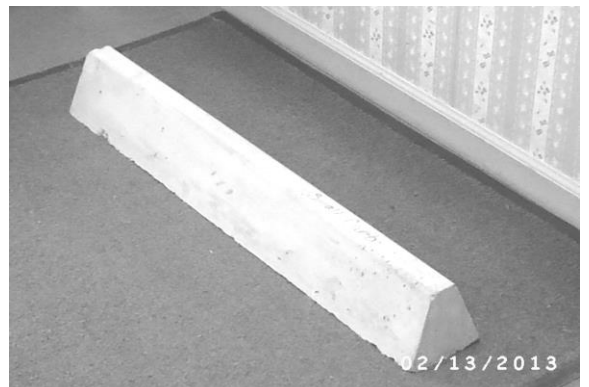
930 LBS



Available in Yellow and Blue

Baby Curb - 3' long

\$12.00 each



Standard Curb Installation - \$24.00

Pins (16" pc. 1/2" rebar) - \$1.80

Truck Curb Installation - \$29.00

Plus Delivery