



HAMPTON CONCRETE PRODUCTS INC.

1435 PITTSBURGH ROAD

VALENCIA, PA 16059

WWW.HAMPTONCONCRETE.COM

Phone: 724-443-7205 Fax: 724-443-7207

FEBRUARY 2025

Prices Subject to

Change Without

Notice

PA6939

Cleargress



The Bulkhead Door that transforms your basement into a Warm, Comfortable Living space!



- An aluminum frame & Polycarbonate panel
- Shock system for easy opening and closing
- Locking handle from inside and outside
- Lets 85% of the natural sunlight into the basement
- Warms up the area
- Eliminates the dark, damp environment
- Durable to withstand winters
- Low Maintenance
- Custom Sizes



Easy to use lockable handle



Hydraulic Shock(s) for easy opening



Cheerful Inside

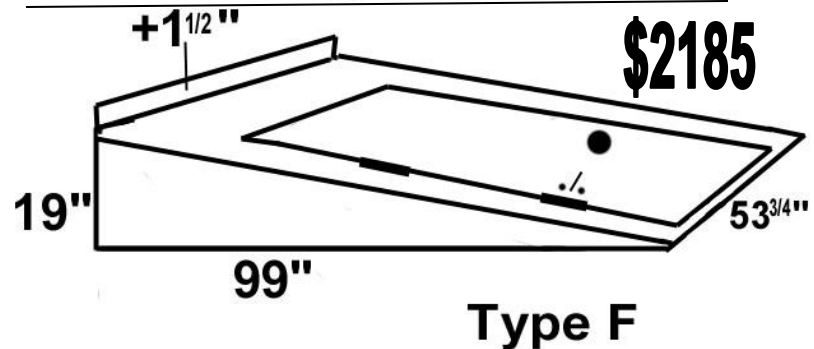
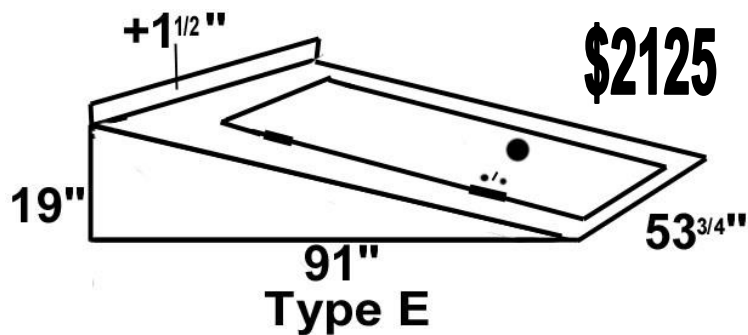
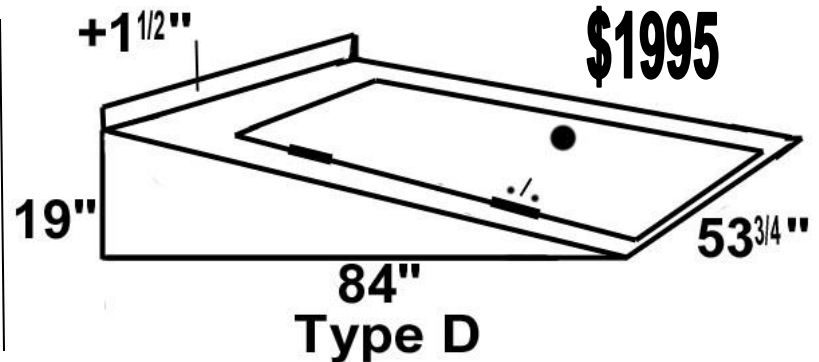
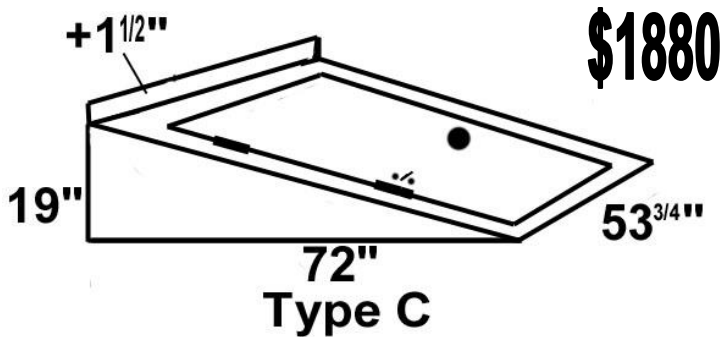
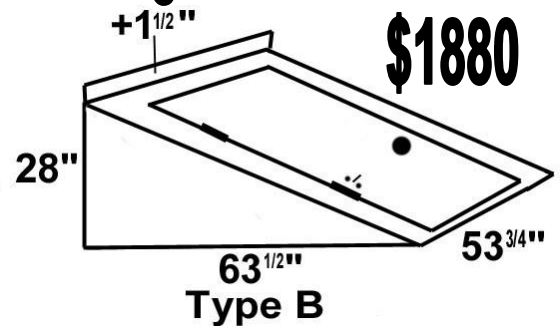
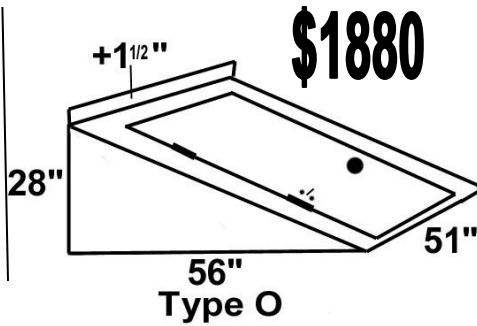
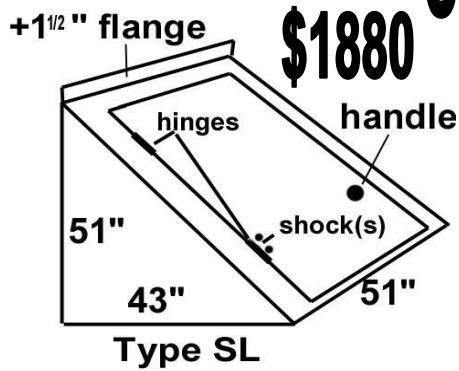


“Best thing we did when finishing our basement. Real daylight down there. Does not look or feel like a basement. Plants thrive and it has become the go to room in our house...”

~Doug B.



Standard Stock Sizes & Pricing



Local pick-up,
delivery and
Nation-wide shipping
available!

EGRESS
WINDOW WELL



Emergency Exit
Keep your
loved-ones safe

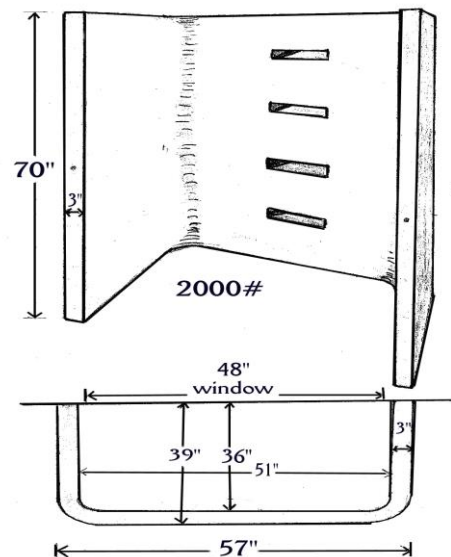
Custom Sizes Available

- * Meets Egress Codes
- * Lets in Natural Sunlight
- * Provides an Emergency Escape
- * The Lid keeps the weather & debris out
- * Fiber-Reinforced Concrete Window Well
- * Aluminum Framed with Polycarbonate Panel Window Well Lid

\$460.00 - Window Well

\$360.00 - Window Well Lid

\$100.00 - Installation



prices subject to change without notice
ALL DIMENSIONS APPROXIMATE