



HAMPTON CONCRETE PRODUCTS INC.

1435 PITTSBURGH ROAD

VALENCIA, PA 16059

[WWW.HAMPTONCONCRETE.COM](http://WWW.HAMPTONCONCRETE.COM)

Phone: 724-443-7205 Fax: 724-443-7207

FEBRUARY 2024

Prices Subject to

Change Without

Notice

PA6939

# Cleargress



**The Bulkhead Door that transforms your basement into a Warm, Comfortable Living space!**



- An aluminum frame & Polycarbonate panel
- Shock system for easy opening and closing
- Locking handle from inside and outside
- Lets 85% of the natural sunlight into the basement
- Warms up the area
- Eliminates the dark, damp environment
- Durable to withstand winters
- Low Maintenance
- Custom Sizes



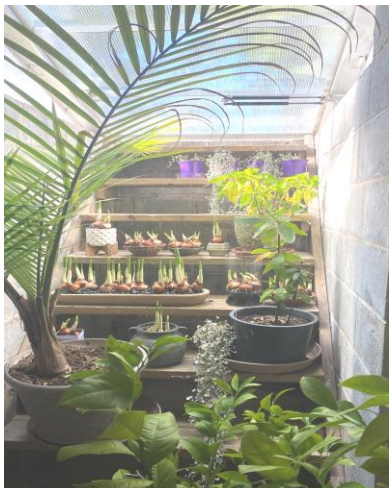
**Easy to use  
lockable handle**



**Hydraulic Shock(s)  
for easy opening**



**Cheerful Inside**

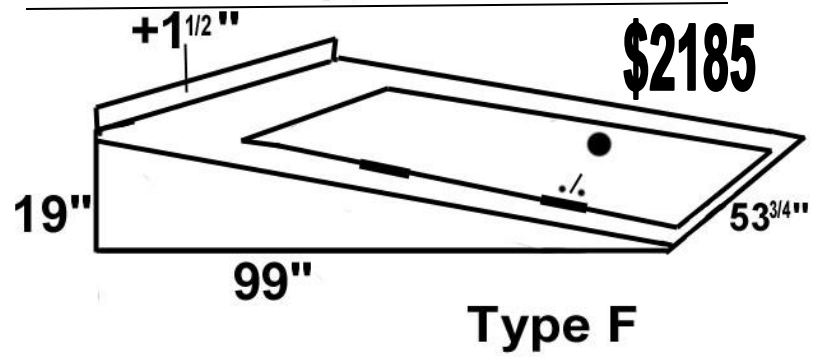
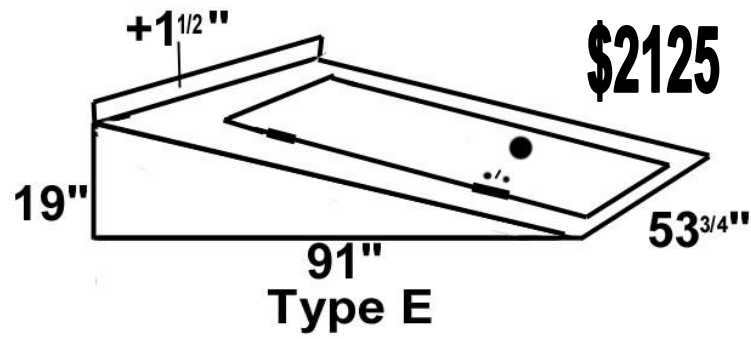
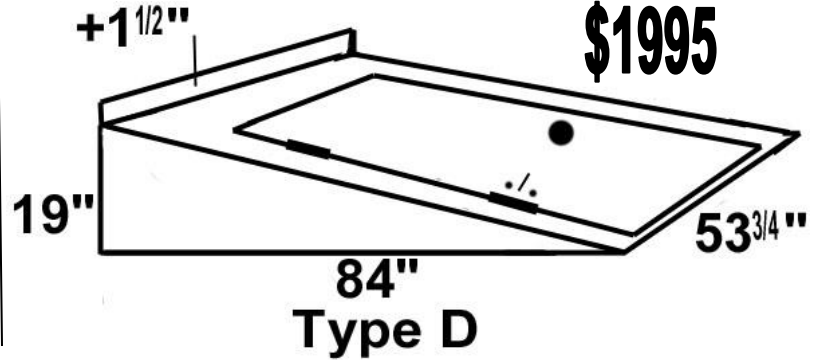
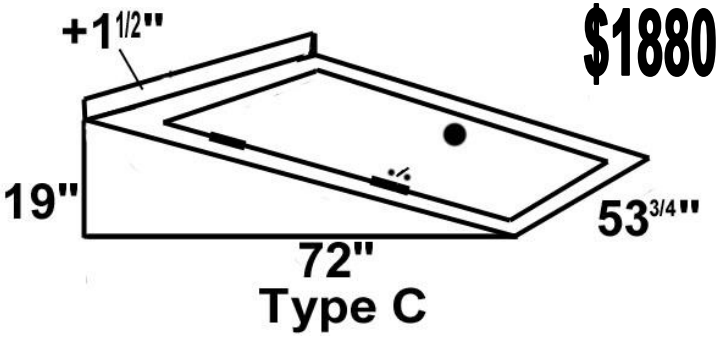
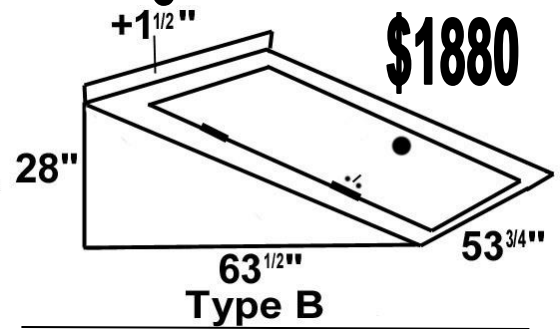
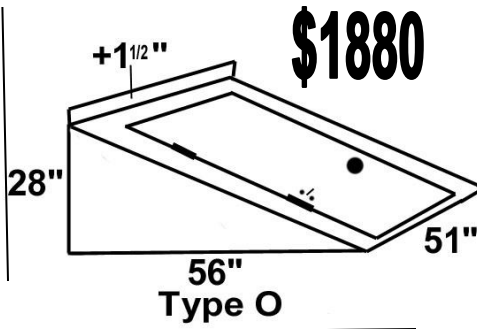
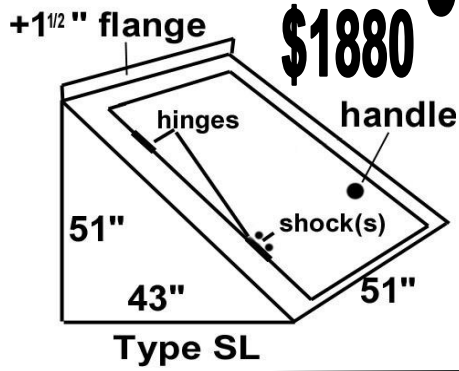


**“Best thing we did when finishing our basement. Real daylight down there. Does not look or feel like a basement. Plants thrive and it has become the go to room in our house...”**

**~Doug B.**



# Standard Stock Sizes & Pricing



Local pick-up,  
delivery and  
Nation-wide shipping  
available!

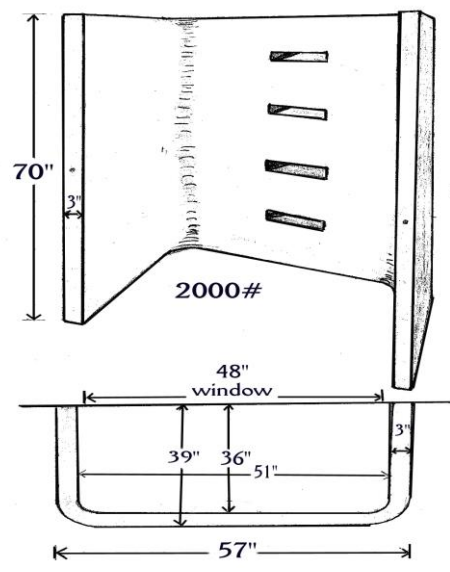
## Custom Sizes Available

- \* Meets Egress Codes
  - \* Lets in Natural Sunlight
  - \* Provides an Emergency Escape
  - \* The Lid keeps the weather & debris out
  - \* Fiber-Reinforced Concrete Window Well
  - \* Aluminum Framed with Polycarbonate Panel Window Well Lid
- \$460.00 - Window Well**  
**\$360.00 - Window Well Lid**  
**\$100.00 - Installation**

EGRESS  
WINDOW WELL



Emergency Exit  
Keep your  
loved-ones safe



prices subject to change without notice  
ALL DIMENSIONS APPROXIMATE