

Hampton Concrete Products, Inc.

www.hamptonconcrete.com

724-443-7205

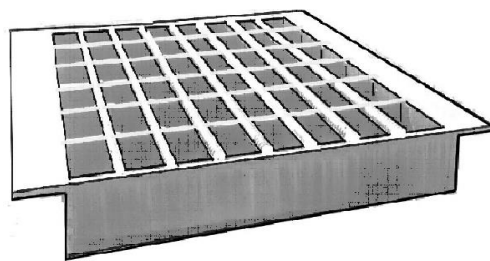
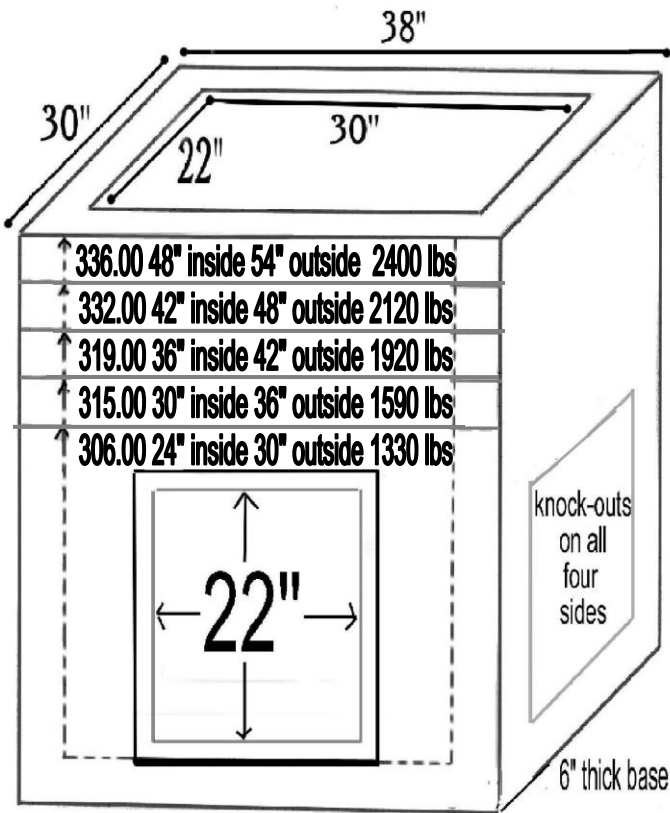
Small Catch Basins - February 2024

PRICES SUBJECT TO CHANGE WITHOUT NOTICE

PA6939

22" x 30" Catch Basin

6" Riser \$96 - 208 lbs



Heavy Angle Grate

18" x 24" - \$228.00

22" x 30" - \$293.00

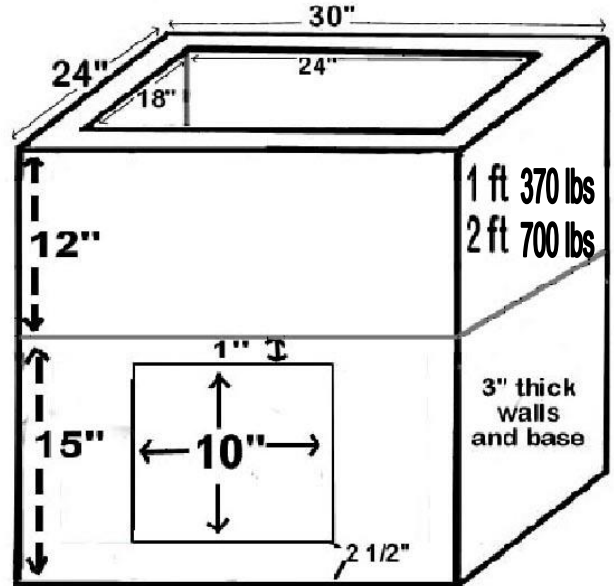
ALL DIMENSIONS APPROXIMATE

18" x 24" Catch Basin

12" Deep \$183.00

24" Deep \$208.00

6" Riser \$60.00 - 158 lbs

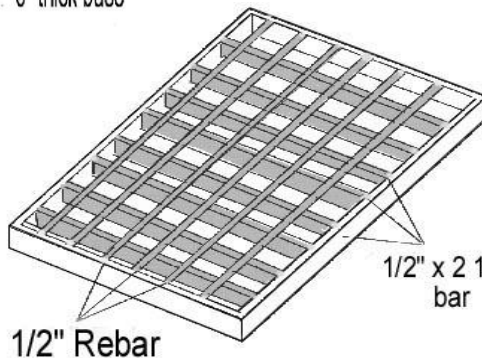
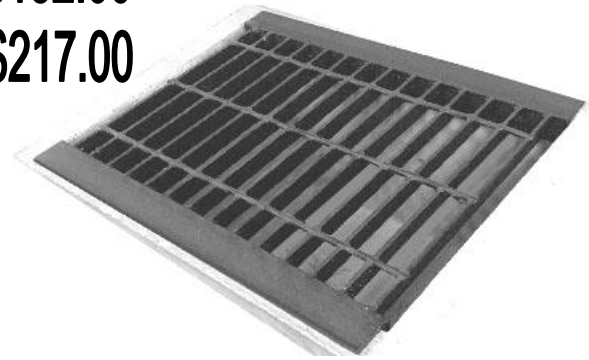


knock outs all 4 sides

Angle Grate

18" x 24" - \$152.00

22" x 30" - \$217.00

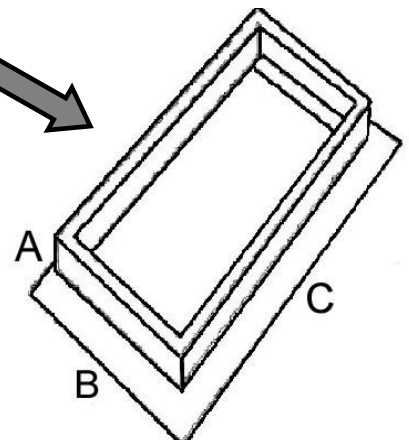


Heavy Bike Grate

18" x 24" - \$224.00

22" x 30" - \$293.00

Heavy Frame
 18"x24" - \$216.00
 A=3" B=23 1/2" C=29 1/2"
 22"x30" - \$231.00
 A=3" B=29" C=37"





Hampton Concrete Products, Inc.
 1435 Pittsburgh Road
 Valencia PA 16059
 (724) 443-7205
 www.hamptonconcrete.com
 PA6939

2ft x 4ft CATCH BASINS

Prices - February 2024
 PRICES SUBJECT TO
 CHANGE WITHOUT NOTICE

2ft x 4ft Catch Basin Risers

24" Riser	\$223.00	approx wt 2000 lbs
18" Riser	\$180.00	1480 lbs
12" Riser	\$152.00	1020 lbs
8" Riser	\$140.00	680 lbs
6" Riser	\$138.00	510 lbs
4" Riser	\$134.00	340 lbs

Dimensions: 3' x 5'

2ft x 4ft Catch Basins no bottom

48" Catch Basin	\$416.00	approx wt 3400 lbs
42" Catch Basin	\$400.00	3000 lbs
36" Catch Basin	\$383.00	2300 lbs
30" Catch Basin	\$325.00	2100 lbs

24" opening

2ft x 4ft Catch Basins with bottom

42" ID 48" OD	\$504.00	approx wt 3800 lbs
36" ID 42" OD	\$487.00	3400 lbs
30" ID 36" OD	\$469.00	2820 lbs
24" ID 30" OD	\$447.00	2300 lbs

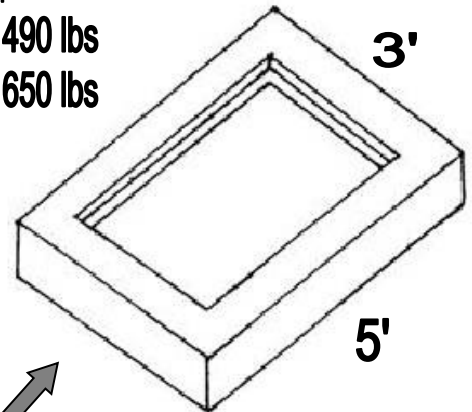
24" opening, 6" depth

3ft x 5ft Base (or top)
 \$135.00

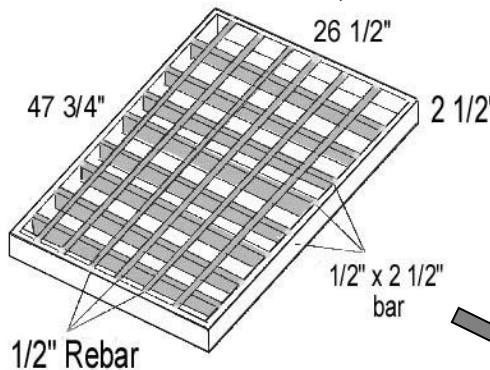
3' x 5' dimensions

2ft x 4ft Angle Grate
 \$327.00

Type M Concrete
 Ring \$177.00
 6in ~ 490 lbs
 8in ~ 650 lbs



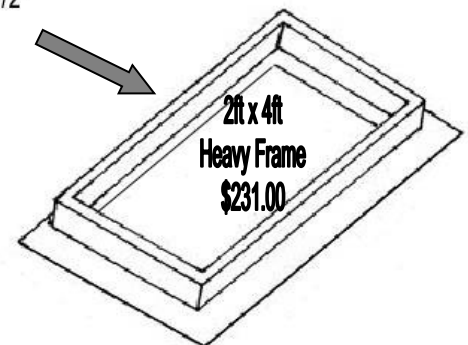
Type C Concrete
 Ring \$416.00



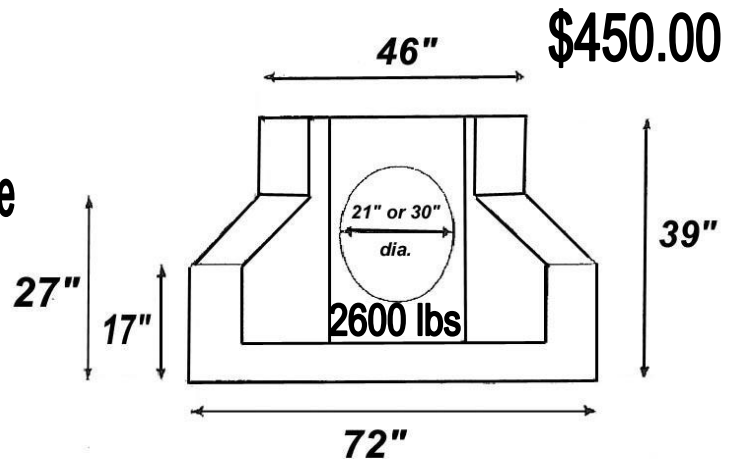
2ft x 4ft Basket
 Grate \$420.00

pictures available
 upon request

2ft x 4ft Heavy
 Bike Grate
 \$395.00



End Wall



\$450.00